

DMN-WESTINGHOUSE

- **Reliable**
- **Compact form**
- **Maintenance free**
- **Use of non corrosive materials**
- **Easy disassembling and inspection**



PRV Pressure Relieve Valve

The DMN-WESTINGHOUSE over-and-underpressure relief valve PRV is an indispensable component for guaranteeing atmospheric pressure in receiving and discharging vessels.

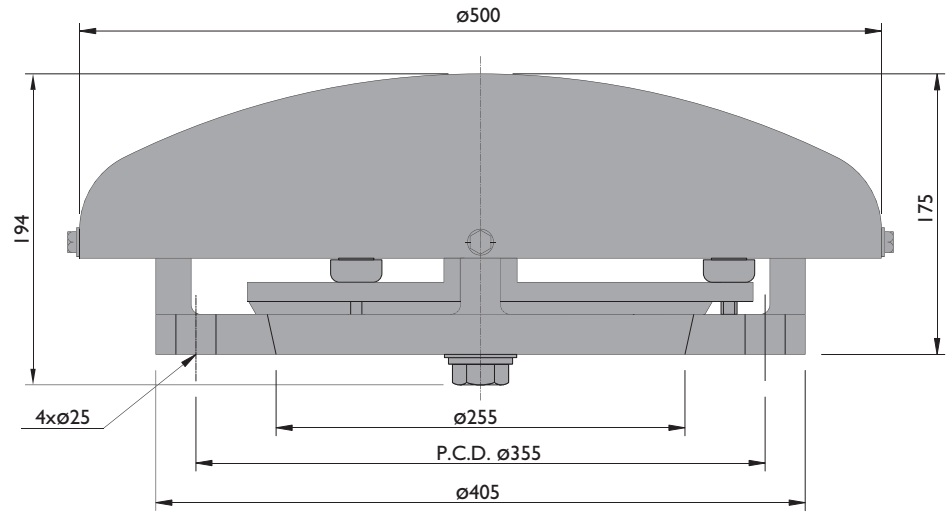
The PRV is designed to avoid an explosion or implosion which can occur when an unacceptable level of pressure or vacuum arises inside the hopper or silo. In such a situation the PRV will automatically open and restore atmospheric conditions inside the silo or hopper. As soon as the atmospheric condition is achieved, the valve will close and re-establish sealing.

Product information

Constructed for outdoor conditions the PRV consists of a cast aluminium body containing a cast aluminium overpressure and underpressure disc. The calibrated stainless steel springs ensure that under normal conditions the gaskets are sufficiently compressed for effective sealing. The whole unit is protected by a stainless steel cover.

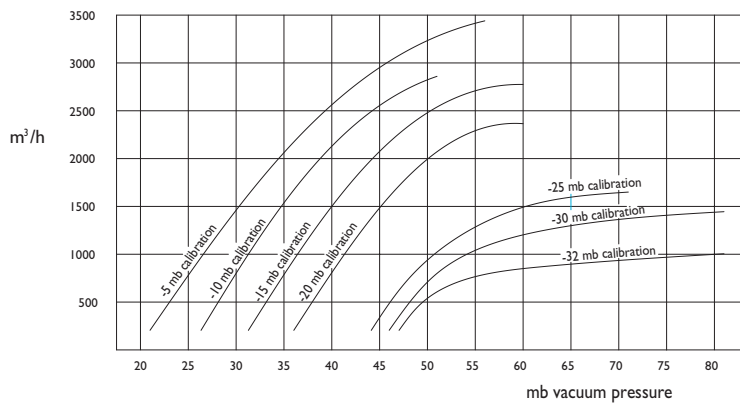
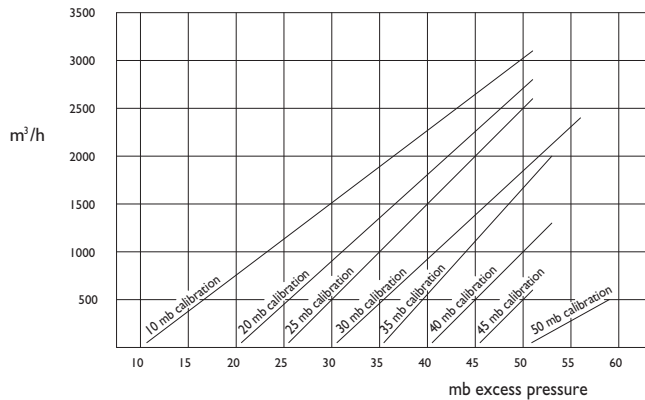
The standard execution is suitable for 39,6 millibar overpressure and 19,8 millibar underpressure. Other specifications are available on request.

Technical characteristics	
Design pressure:	+100 / -50 mbar
Maximum operating pressure:	+45 / -20 mbar
Design temperature:	-20 / +200 °C
Maximum operating temperature:	-10 / +150 °C
(Template) flanges:	DN 250 PN 16 (4 holes)
Minimum calibration pressure:	+8 / -5 mbar



Flow rate characteristics

Approximate value (air $\gamma = 1.22$)



DMN-WESTINGHOUSE have been designing and manufacturing rotary valves, diverter valves and other related components for the bulk solids handling industry for more than 30 years. Offering tailor made solutions for chemical, food, plastics and pharmaceutical industries, DMN-WESTINGHOUSE products are distributed worldwide. Besides an extensive range of standard components, we supply USDA approved sanitary versions and explosion-proof models. An extensive network of subsidiaries, distributors and representatives ensures a high level of service and support all over the world.

Head Office:
DMN Machinefabriek Noordwykerhout B.V.

P.O. Box 6, 2210 AA Noordwijkerhout, Holland
Tel. +31 252 361 800 Fax +31 252 375 972
E-mail: dmn@dmn-nwh.nl

Internet: www.dmn.info



© DMN - HOLLAND - 2001

Subsidiaries:

DMN U.K. Ltd.
Unit 1&2, Harris Road,
Porte Marsh Industrial Estate
Calne, Wiltshire, SN 11 9PT, U.K.
Tel. +44 1249 818 400
Fax +44 1249 818 410
E-mail: dmn@dmnuk.com

DMN Schüttguttechnik GmbH
Rütgersstrasse 8
D-21244 Buchholz i.d. Ndh, Germany
Tel. +49 4181 931 40
Fax +49 4181 931 490
E-mail: dmn@dmn-schuetttguttechnik.de

DMN Italia S.r.l.
Via Teresa Noce, 2
20060 Pessano Con Bornago (MI), Italy
Tel. +39 02 950 4747
Fax +39 02 950 4775
E-mail: dmn@dmnitaly.com

DMN Incorporated
3895 South Perkins Road, Suite 8
Memphis, TN 38118, U.S.A.
Tel. +1 901 360 1537
Fax +1 901 360 0348
E-mail: dmnfo@dmn-inc.com